

Since 1895

**KIRLIN**  
Lighting Innovators

Bulletin 15OPT

**IES Award Winning!**  
**OPTeLED™**

# MOTORIZED LED MEDICAL LIGHTING



OPTeCOLOR  
ULTRA-HIGH 95+ CRI  
COOL BEAM  
TECHNOLOGY



FULLY RECESSED  
LED MOTORIZED  
PATIENT  
LIGHTING  
WITH WALL  
CONTROL FOR  
DIRECTION AND  
INTENSITY OF  
LIGHT

WWW.KIRLINLIGHTING.COM  
3401 E. JEFFERSON AVE.  
DETROIT, MI 48207-4232



# OPTeLED™

MRR-12640 (Two Light System)

MRR-12642 (One Light System)

**KIRLIN**  
Motorized Medical  
LED Lighting Systems




Up to 9200 Footcandles  
Ultra High 95+ Color  
Rendering  
OPTeColor™ & Cool Beam  
High Angle Illumination  
(Up to 50°)  
60,000 Hour Life (L70)



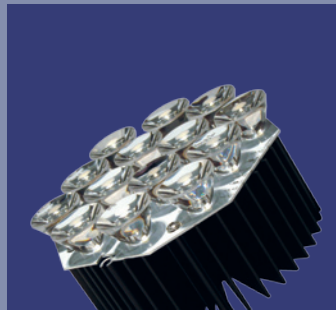
## LIGHT FIXTURES

**Fully recessed** fixtures with **architectural trims** are unobtrusive, providing a **safe environment** for clinicians and patients, and inconspicuous, creating a **home-like atmosphere**.

 **BioGard™ anti-microbial finish** inhibits the growth of pathogens. Compact and smooth trim and lens are easy to clean.

 Sealed **IP65** trim and lens available to prevent the transmission of pathogens through the fixture.

All components are **modular and fully serviceable** through the aperture.



## LEDs



OPTeColor™ LEDs deliver **95+ CRI and high R9** for accurate tissue color rendering (see following page). Cool beam **does not project heat** toward the room, assuring patient and practitioner comfort and avoiding tissue desiccation.

**Precision optics** deliver optimal contrast ratio, maximize luminaire efficiency and beam control while minimizing glare for clinician and patient.

**60,000 hours long life (L70)** dramatically **reduces maintenance frequency and cost** compared to traditional sources with typical life of 2000 hours.

**Redundancy of components ensures at least 50% illumination** at all times.

## WALL CONTROL

Joystick permits **one-step, quick and precise aiming** of each lighthouse wherever desired.

Independent control of each lighthouse permits **adjustable pattern of superimposed beams** or **dual task illumination**.

Intensity of light is **instantaneously adjusted from 10-100%** with convenient slide dimmer.



MRR-12640



MRR-12642



## ANGLE OF ILLUMINATION

Each lighthouse rotates 360° and tilts up to 35° permitting **full coverage of the patient**.

Two light system (MRR-12640) provides higher light levels and **minimizes shadowing**.

Optional 15° bottom pan (Option -81) allows lighthouse to be **tilted up to 50° for high angle illumination** or to accommodate fixture location further from the bed.

[www.kirlinlighting.com](http://www.kirlinlighting.com)

# Color Rendering and R9



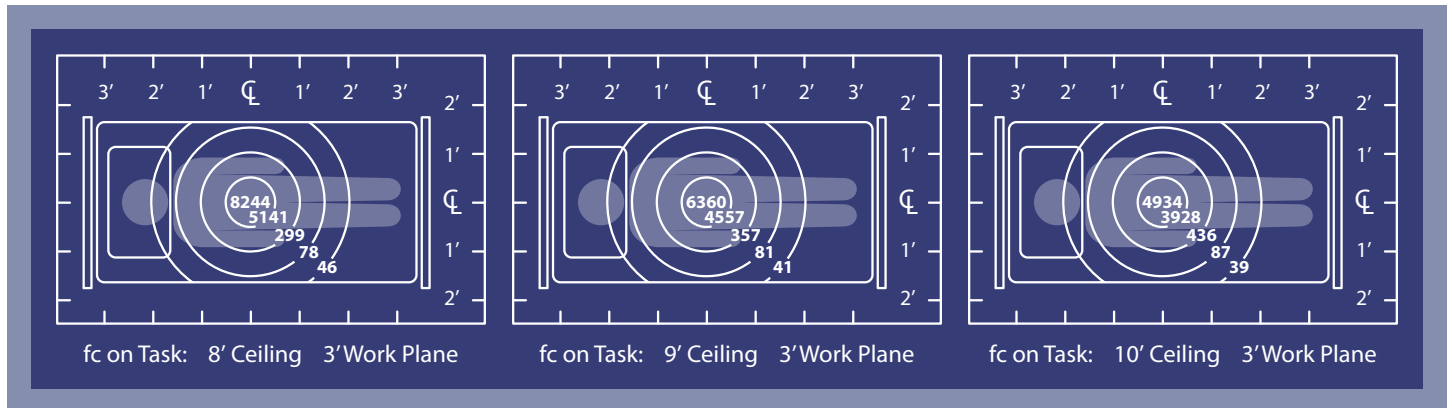
Low CRI & Low R9

High CRI & High R9

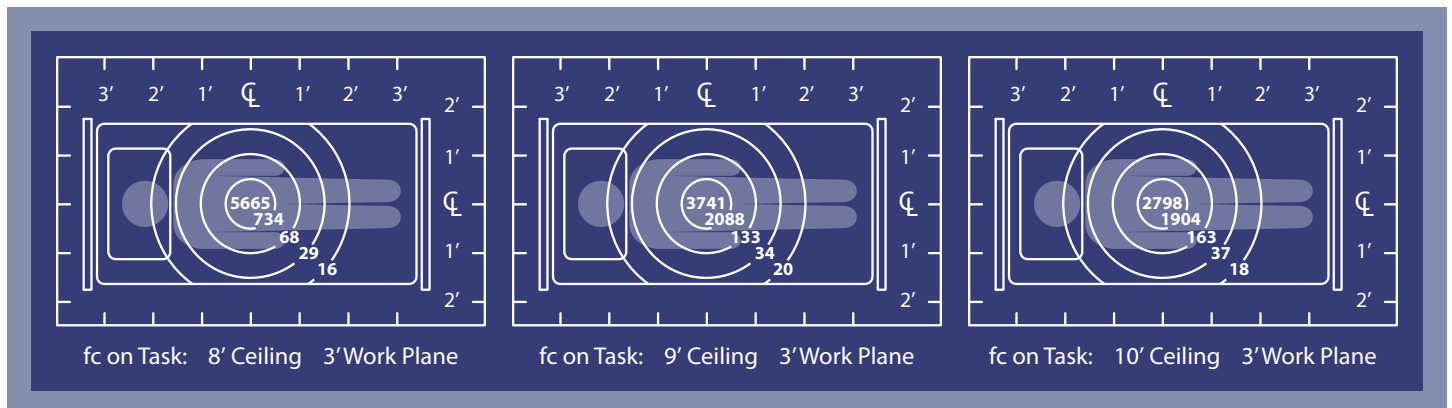
High CRI is only part of the color rendering story. CRI measures a light source's ability to render pastel colors excluding important saturated colors like red. High R9 values are critical in healthcare applications. Kirlin OPTeColor™ LEDs deliver both high CRI and high R9 lighting for accurate patient diagnosis and treatment.

## Performance

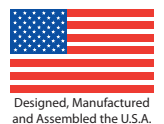
### Footcandle Distribution Data - MRR-12640 (Two Light System) 4' Spacing



### Footcandle Distribution Data - MRR-12642 (One Light System)



For more information, including Specification Sheets and Owner's Manuals, please visit [www.kirlinlighting.com](http://www.kirlinlighting.com) or call your local Kirlin Sales Representative.



# Applications

**KIRLIN**

Motorized Medical  
LED Lighting Systems

ICU / CCU / PATIENT ROOM / ED / CATH LAB



Children's Hospital Colorado  
Denver, CO

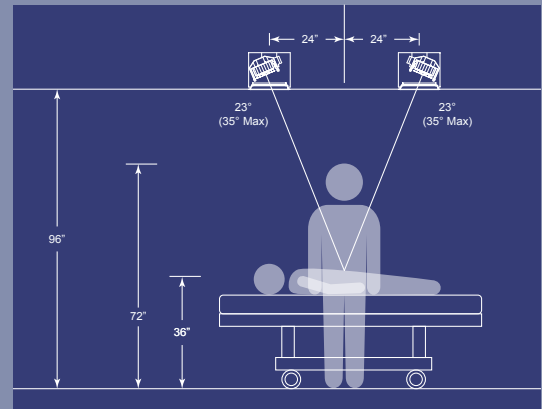
NICU

Motorized Patient  
Lighting by Kirlin

## MRR-12640 Two Light System

Up to 8244 fc on the Task  
from 64"

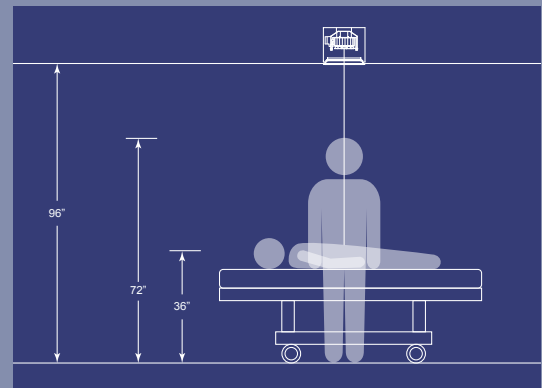
9" Diameter Beam on  
Patient



## MRR-12642 One Light System

Up to 5665 fc on the Task  
from 60"

8" Diameter Beam on  
Patient

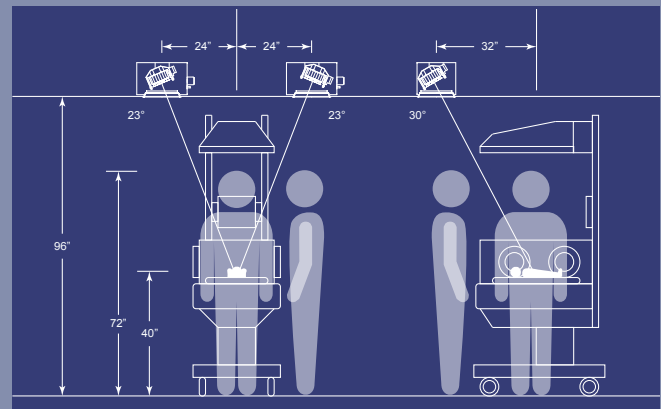


University of Michigan  
C.S. Mott Children's Hospital  
Ann Arbor, MI

## MRR-12640 Two Light System

Up to 9275 fc on the Task  
from 60"

8" Diameter Beam on  
Patient



# Options

## Electrical

- 58 277/120 volt stepdown transformer for 277 volt line input, prewired into fixture; with 120 volt thermal protector.
- 87 Custom length (> 35 feet) plenum rated wall control cables (3). Specify length.
- 97 For other input supply voltages, consult factory.
- 98 347/120 volt stepdown transformer for 347 volt line input, prewired into fixture; with 120 volt thermal protector.

## OPTeColor™ - Consult Factory

- 30K 3000°K instead of 3500°K. 95+ CRI.
- 41K 4100°K instead of 3500°K. 95+ CRI.
- 50K 5000°K instead of 3500°K. 95+ CRI.

## Trim and Other

- 32 White oversize trim ring. Specify O.D.
- 81 15° bottom pan achieves 50° high angle illumination.
- 94 Custom color self-flanged flare trim instead. Consult factory.
- 99 Special modification. Consult factory.
- IP IP65 rated trim and lens.
- SE Fixture modified for seismic anchorage (by others). Meets CA, Uniform & International Building Codes. Consult factory.

THE **KIRLIN** COMPANY

3401 East Jefferson Avenue • Detroit, Michigan 48207-4232

313-259-6400 • 313-259-3121 • info@kirlinlighting.com • www.kirlinlighting.com