



# PL Series 1 Luminaires

---

Your Complete LED Solution

**PHILIPS**  
**Selecon**

# Inspired Lighting Tools for Today & Beyond

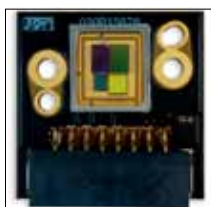


## WELCOME TO THE FUTURE OF STAGE LIGHTING.

The new PL Series 1 LED luminaire family offers a complete solution for small to medium theatres and studios.

It brings together the proven power and performance of the PL Series 1 LED engine with the leading industry product design you expect from Philips Selecon.

The result? LED luminaires that dramatically bring your lighting design to life.



### Almost Limitless Color

You'll achieve virtually limitless color mixing and color temperatures with the single source high output RGBW LED chip. Each PL Series 1 luminaire mixes your color combination to produce a fully homogenized beam.



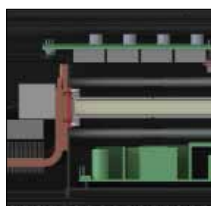
### Superior Light Control

PL Series 1 Luminaires are designed to let you shape and control the light to meet your requirements. All with the familiar operational features of your favorite Philips Selecon luminaires.



### Easy To Use

PL Series 1 Luminaires utilize control menus you're already familiar with across the entire range. Its easy to configure luminaires and match color presets.



### Effective Heat Control – Guaranteed

The carefully designed compact and robust luminaires effectively manage the heat produced by the high output PL1 engine. Plus you have the security of Philips Selecon's three year warranty.



# Blend Intense Washes of Color on your Cyclorama **PLCYC1**

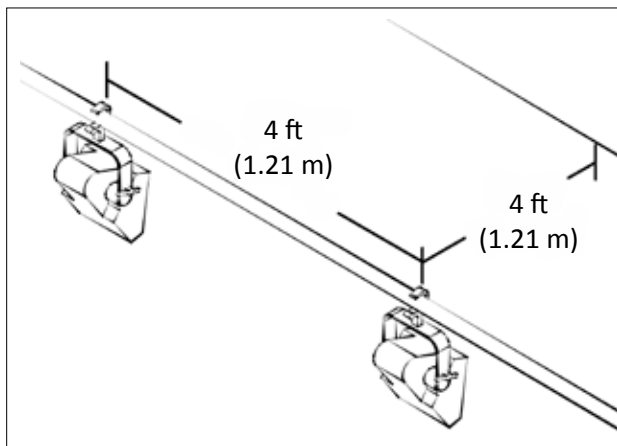


## PLCYC1

The PLCYC1 delivers a smooth even beam that seamlessly blends intense washes of color on your cyclorama. Each luminaire replaces the equivalent of a traditional four cell 500W per circuit Cyc light.



Using a properly shaped asymmetrical reflector, the PLCYC1 delivers consistent light distribution on the cyclorama.



No confusing horizontal/vertical spreader lenses required. The positioning is the same as a traditional Philips Selecon Cyc luminaire.

# Your General Purpose Luminaire

## PLFRESNEL1



## PLFRESNEL1

The PLFRESNEL1 produces an adjustable beam of light with a soft edge that is easily blended with adjacent beams to provide even illumination. It's your general purpose luminaire, equally at home in theatres, small studios and displays.



Shape the beam with the barndoor accessory.



Simple, fast adjustment from spot to flood with Philips Selecon's proven posi-slide design.



Add more flexibility to your designs by simply changing from a pale tint to a saturated color from your control console. No need to change plastic color filters.



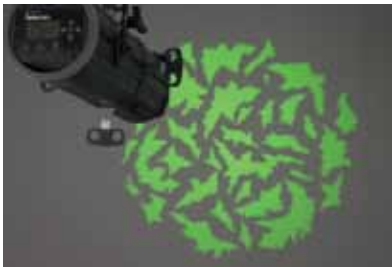
# Texture and Shape Your Light

PLPROFILE1



## PLPROFILE1

The PLPROFILE1 is a variable angle profile with a high output beam. Pattern projections allow you to texture the light, while you can shape the beam with the framing shutters.



The PLPROFILE1 delivers Philips Selecon's industry benchmark quality for high definition image projection.



Shape the beam precisely with the framing shutters.



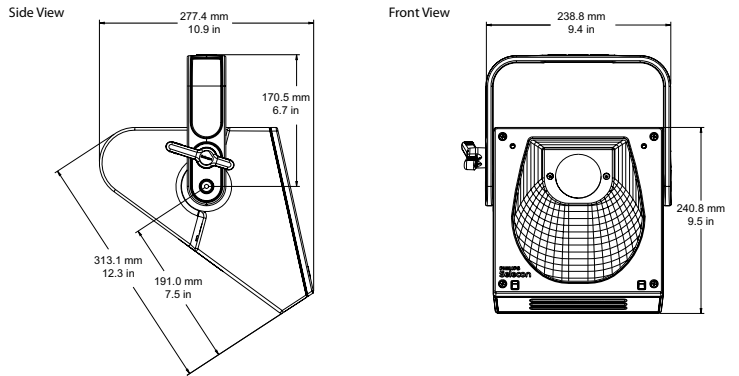
Switch from wide zoom to medium zoom with Philips Selecon's interchangeable lens trays.



## ELECTRICAL SPECIFICATIONS

Source:	1 each, true RGBW 120W LED chip
Output:	> 2000 lumens (white light)
Operating voltage:	100V–240V AC (auto-ranging)
Frequency:	50/60Hz
Current draw:	1.3A at 120VAC, 0.63A at 240VAC
Maximum load with all LEDs at full RGBW	
Ambient temperature:	35° – 40°C
Control:	On-board menu/DMX512
Standard compliance:	ETL and CE Marked

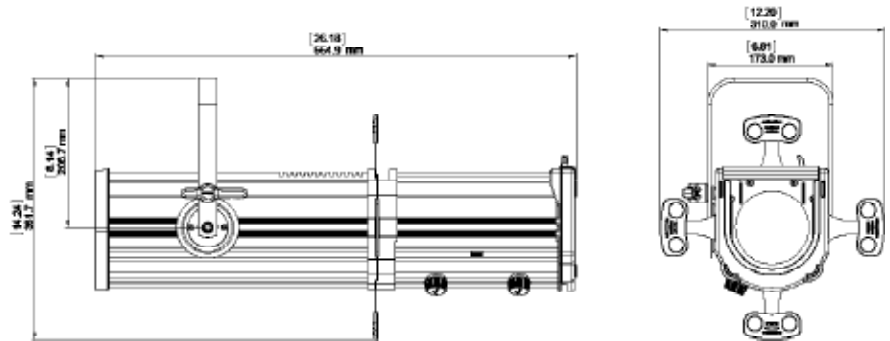
**PLCYC 1**



## MECHANICAL SPECIFICATIONS

Construction:	Aluminium, sheet metal, and molded engineering grade plastic components
Color:	Black
Weight:	PLCYC1 - 7.3 lbs (3.3 kg) PLFRESNEL1 - 12 lbs (5.7 kg) PLPROFILE1 - 18 lbs (8.5 kg)

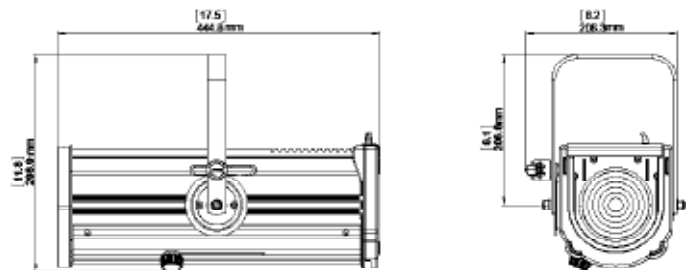
**PLPROFILE 1**



## ORDERING INFORMATION

PLCYC1-03 PLCYC1 LED Luminaire, Black  
 PLFR1-03 PLFRESNEL1 LED Luminaire, Black  
 PLZS1-1834-03 PLPROFILE1 LED Luminaire 1834, Black  
 PLZS1-2444-03 PLPROFILE1 LED Luminaire 2444, Black

**PLFRESNEL 1**



Phillips Strand Lighting  
 10911 Petal Street  
 Dallas, TX 75238  
 United States  
 Tel: +1 214 647-7880  
 Fax: +1 214 647-8038  
[www.strandlighting.com](http://www.strandlighting.com)

Phillips Selecon  
 19-21 Kawana Street  
 Northcote, Auckland 0627  
 New Zealand  
 Tel: +64 9 481 0100  
 Fax: +64 9 481 0101  
[www.seleconlight.com](http://www.seleconlight.com)

Phillips Selecon  
 Unit C, 14/F, Roxy Industrial Centre  
 41-49 Kwai Cheong Road  
 Kawi Chung, NT  
 Hong Kong  
 Tel: +852 2796 9786  
 Fax: +852 2798 6545

Philips Entertainment Group  
 Europe  
 Rondweg zuid 85  
 7102 JD  
 Winterswijk  
 The Netherlands  
 Tel: +31 543 542513

**PHILIPS**  
**Selecon**